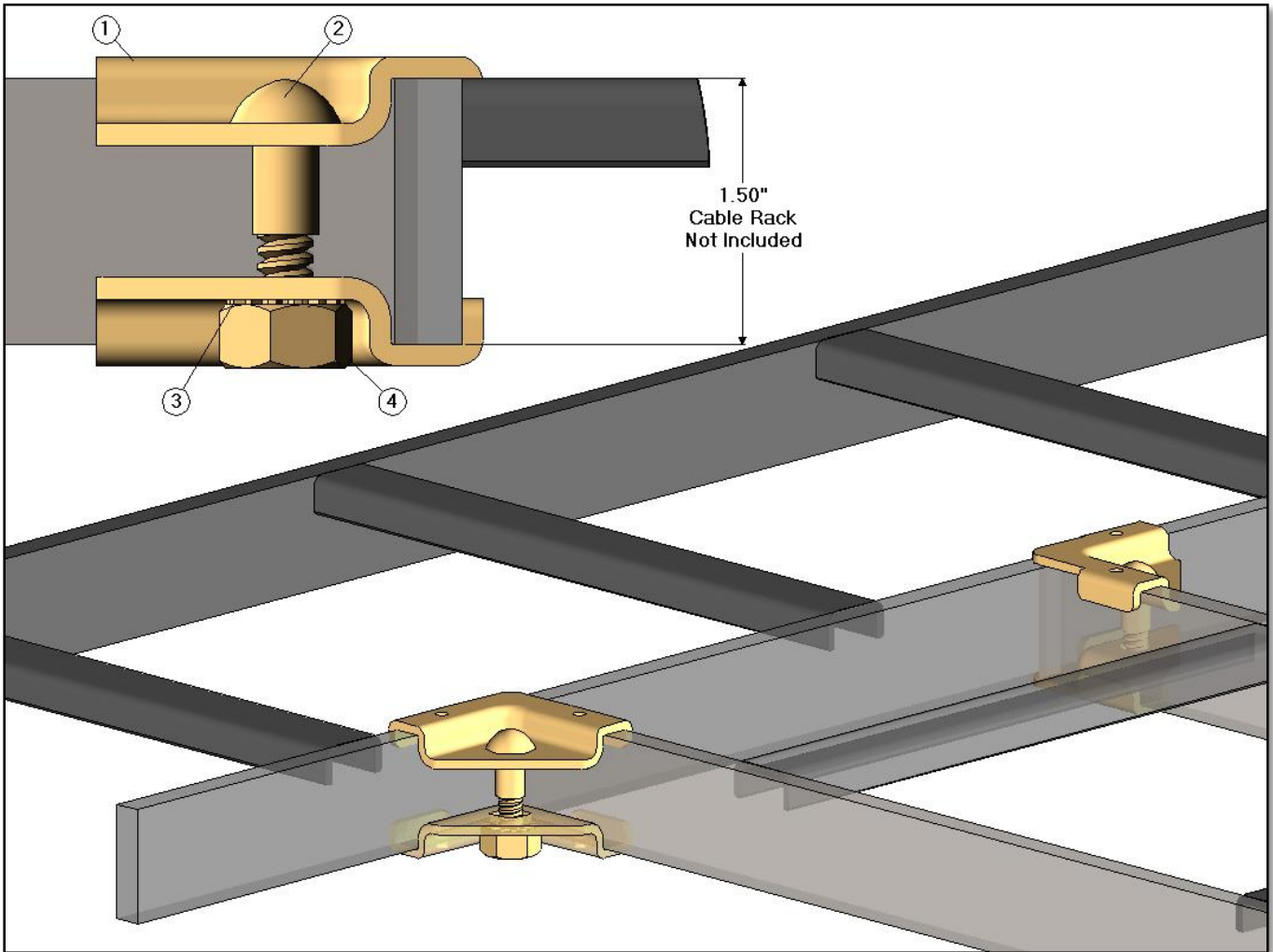




CC12 - Corner Clamp Kit - 1.50" Cable Rack - Pair



CC12 - Corner Clamp Kit - 1.50" Cable Rack - Pair

Item	CSF P/N#	QTY	Description
1	CC	4	Corner Clamp Bracket
2	CB171	2	3/8-16 Carriage Bolt
3	LWE156	2	3/8" External Tooth Lock Washer
4	HN146	2	3/8-16 Hex Nut

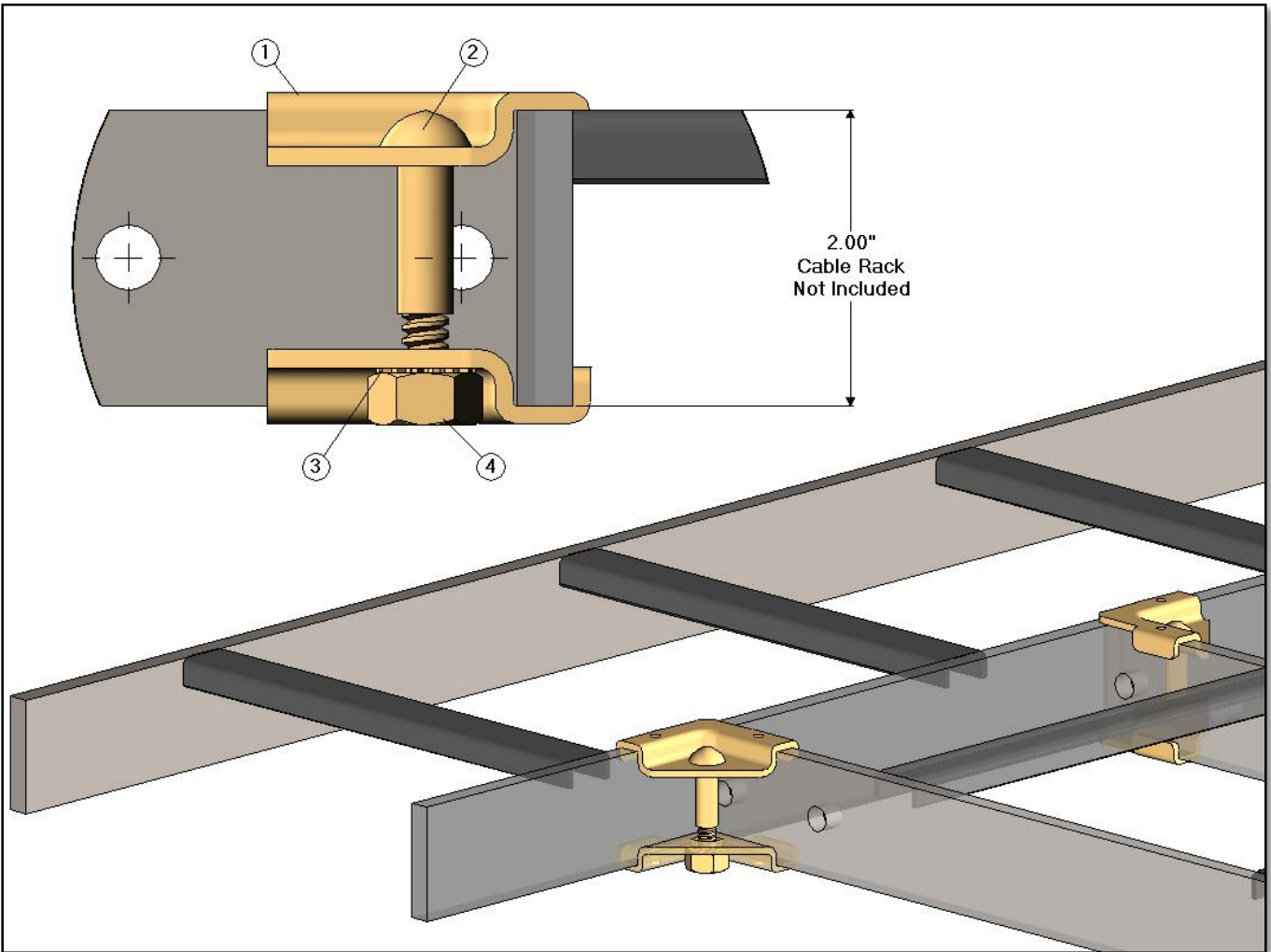
Notes :

- Corner Clamps fit Tube/ Bar and Channel Stringer
- Cable Rack - Not Included
- Hardware finish is zinc yellow.

Specifications subject to change. Please contact CSF Customer Service for more information.



CC22 - Corner Clamp Kit - 2.00" Cable Rack - Pair



CC22 - Corner Clamp Kit
2.00" Cable Rack - Pair

Item	CSF P/N#	QTY	Description
1	CC	4	Corner Clamp Bracket
2	CB170	2	3/8-16 Carriage Bolt
3	LWE156	2	3/8" External Tooth Lock Washer
4	HN146	2	3/8-16 Hex Nut

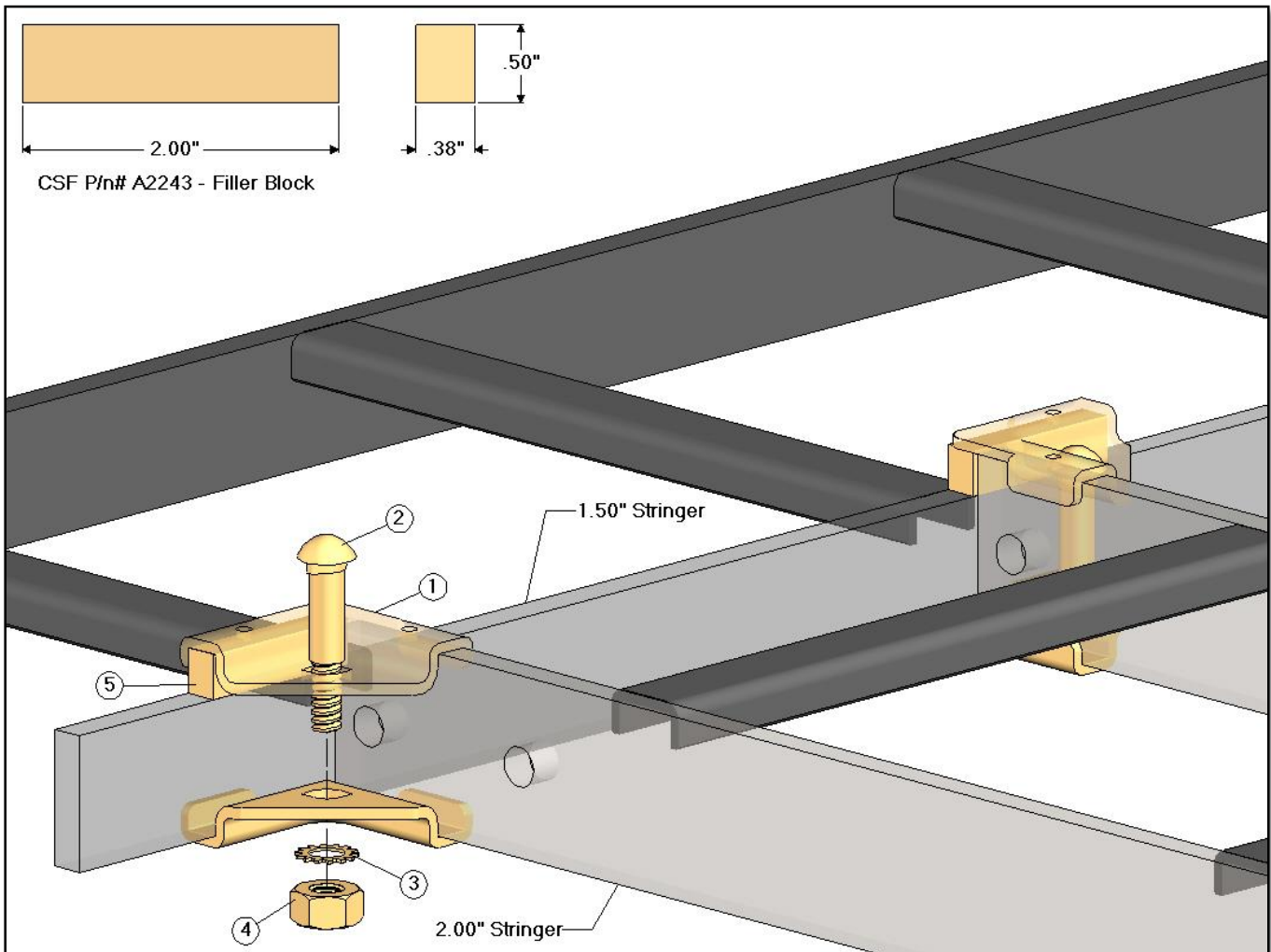
Notes :

- Corner Clamps fit Tube/ Bar and Channel Stringer
- Cable Rack - Not Included
- Hardware finish is zinc yellow.

Specifications subject to change. Please contact CSF Customer Service for more information.



CC22DW - Corner Clamp Kit - 2.00" Cable Rack to 1.50" Cable Rack - Pair



CC22DW - Corner Clamp Kit - Pair
2.00" Cable Rack to 1.50" Cable Rack

Item	CSF P/N#	QTY	Description
1	CC	4	Corner Clamp Bracket
2	CB170	2	3/8-16 Carriage Bolt
3	LWE156	2	3/8" External Tooth Lock Washer
4	HN146	2	3/8-16 Hex Nut
5	A2243	2	Filler Block

Notes :

- Corner Clamps fit Tube/ Bar and Channel Stringer.
- Cable Rack - Not Included
- Hardware finish is zinc yellow.

Specifications subject to change. Please contact CSF Customer Service for more information.